

## Assembly Instructions for Mattress Support Bars

Read through instructions before starting



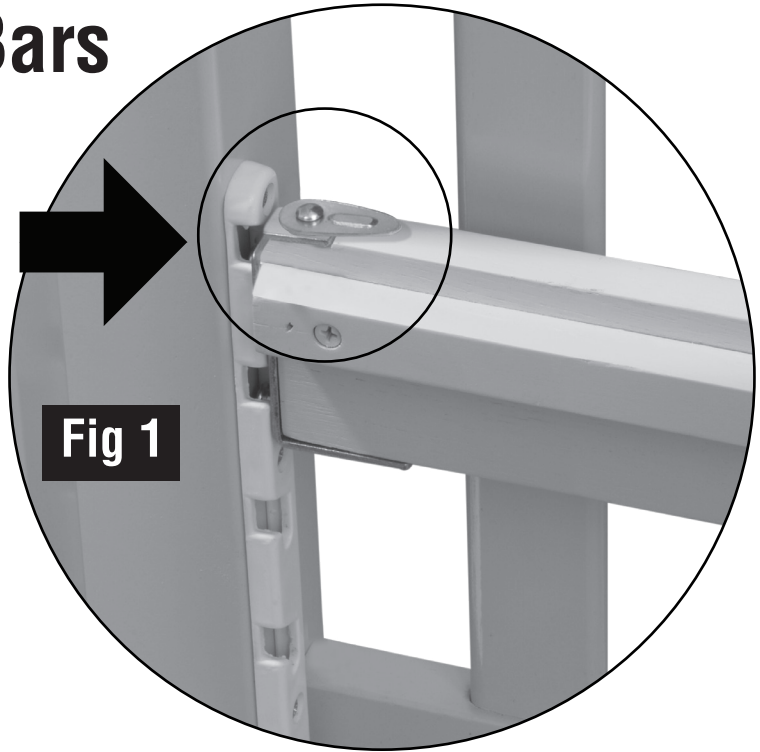
For video instructions visit  
**CribRecallCenter.com**

# INSTRUCTIONS TO INSTALL MATTRESS SUPPORT BAR

## Mattress Support Bars Correct Assembly

**Correct**

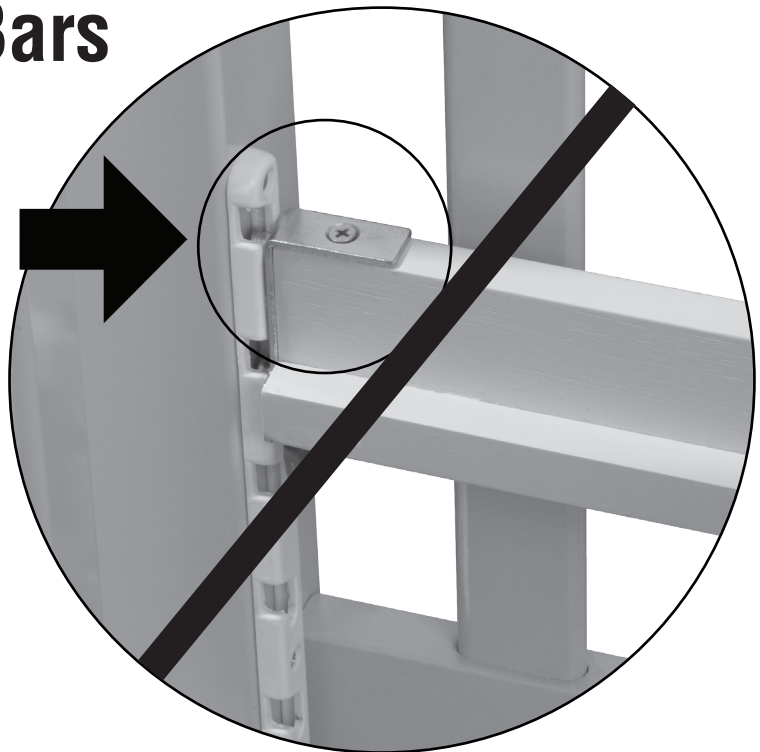
Note:  
Metal tab hardware  
Should be on top of  
mattress support bar.  
(tab may be in middle  
of the bar)



## Mattress Support Bars Incorrect Assembly

**Incorrect**

Note:  
Metal tab hardware  
Should be on top of  
mattress support bar.



# INSTRUCTIONS TO INSTALL MATTRESS SUPPORT BAR

## STEP 1 :

Locate Mattress support posts (there is 1 post on each of the 4 sides of the crib)

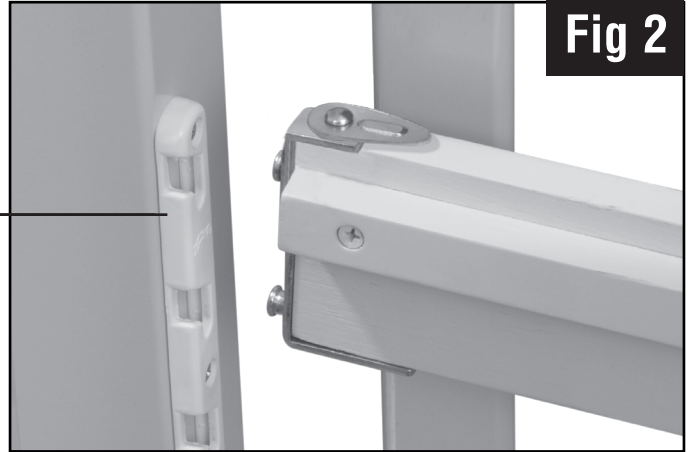
Insert metal pegs on the mattress support bar into post at the same height – push down hard to make sure they are secure See Fig 2.

Repeat with other mattress support bar

It is important that this bar matches with the tab facing the ceiling.

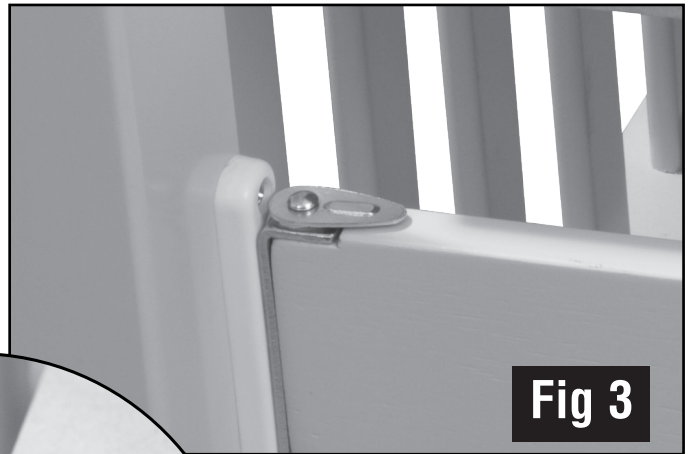
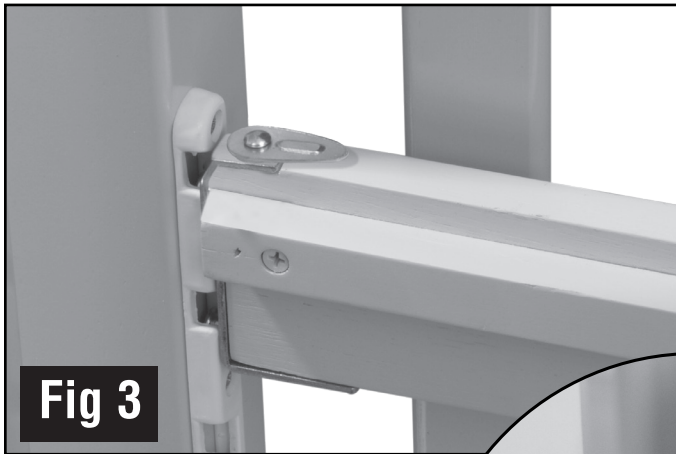
See Fig 1

Post

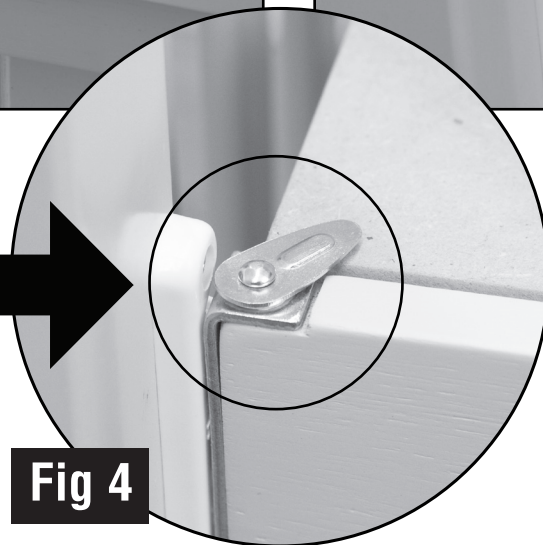
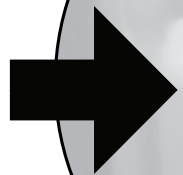


STEP 2 : Make sure tab is slid to the side. See Fig 3 ( tabs may be in middle of bar)

Place mattress board onto ledge of mattress support bar-move metal tabs over board to lock down board. Mattress board should be flush with bars. See Fig 4.



**Lock**



**Note:**

**Metal tab should be positioned over the mattress board.**

For video instructions visit: [CribRecallCenter.com](http://CribRecallCenter.com)

Continued on back page →

# INSTRUCTIONS TO INSTALL MATTRESS SUPPORT BAR

**Note: It is important to periodically inspect your crib for broken or missing parts**



For video instructions visit **CribRecallCenter.com**



www.DeltaChildrensProducts.com  
114 West 26th Street, New York, NY 10001